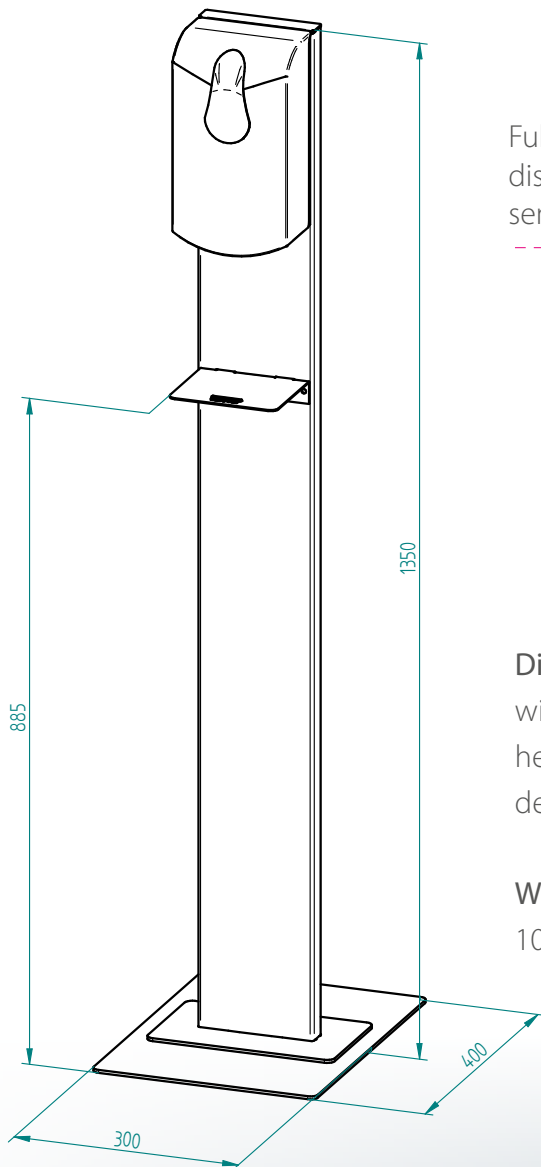


STAND FOR DISINFECTANT DISPENSER

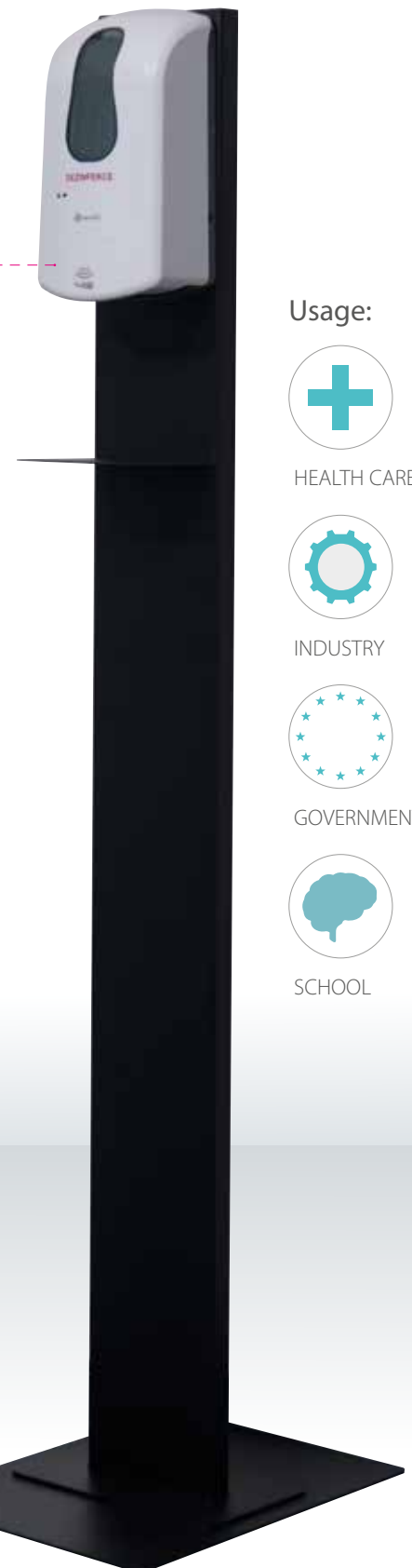
ORDER CODE: IDS-14-X43-XXX-X1



Fully automatic disinfectant dispenser with a motion sensor.

Dimensions:
width 300 mm
height 1350 mm
depth 400 mm

Weight:
10,48 kg



Usage:



HEALTH CARE



INDUSTRY



GOVERNMENT



SCHOOL

The base of the stand is made of sheet metal thickness 4 mm, stand profile made of sheet metal thickness 2 mm, welded construction is non-detachable.

The stand for disinfectant dispenser can be supplied in the following RAL colors:

